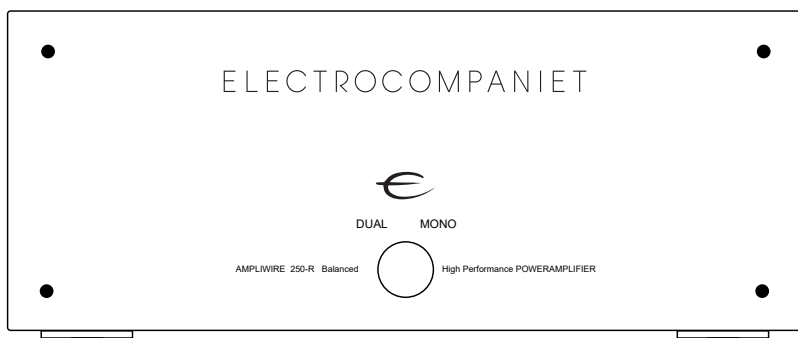




ELECTROCOMPANIET

If music *really* matters™



AW 250R

Balanced Stereo Power Amplifier

Owner's Manual

EN



Unpacking the AW 250R

Immediately upon receipt of the amplifier, inspect the carton for possible damage during shipment. If the carton is visibly damaged, a claim must be filed with the carrier as soon as possible.

Unpack the unit carefully, and please do remember to save all packaging materials for future shipment. The carton and packaging have been designed to offer the safest possible protection when transporting your amplifier.

The contents of the carton

- 1 pcs Electrocompaniet Ampliwire 250R
- 1 pcs AC power cord
- 1 Owner's Manual
- 1 pcs Spare fuse, 10.0 AT slow-blow 5x20mm (120V AC)
 6.3 AT slow-blow 5x20mm (240V AC)

The actual spare fuse is located inside the AC 3 pin receptacle.

How to avoid damages

A good operating practice is to turn off all equipment before any connections or disconnection's are made. Do not under any circumstances connect or disconnect equipment when power is turned on. When using the amplifier in mono mode, do not load the amplifier with lower impedance than 4 ohm. Never short the speaker outputs to ground or chassis.

The AW250R contains delicate circuits that are sensitive to magnetic stray fields. The unit should not be placed near mains transformers, TV sets etc. Care should be taken regarding placement of the interconnect cables. Do not run interconnect cables in parallel with main cords or speaker cables. Keep interconnect and speaker cables as short as possible.



Connecting the AW 250R

Connecting to mains

Check that the mains voltage printed on the rear panel of the amplifier corresponds with the line voltage in the territory where you intend to use your amplifier.

The rear panel *(See illustration 1, page 6 - back panel).*

The rear panel of the Ampliwire AW 250R is equipped with one XLR female socket input for each channel, marked LEFT INPUT and RIGHT INPUT. In addition, there is one XLR male socket for each channel, marked LINK. The LINK socket may be used for bi-amping or for connection of an active subwoofer. The Ampliwire AW 250R is also equipped with double sets of speaker terminals for each channel. The double sets of speaker terminals may be used for bi-wiring of speakers. Finally, the AC mains receptacle is found on the rear panel of the Ampliwire AW 250R.

Balanced XLR operation

The Ampliwire AW 250R is designed to be used with balanced XLR connection from preamplifier. A balanced XLR interconnect cable with ground on pin 1, + on pin 2 and - on pin 3 should be used for balanced operation.

Single ended operation

Use an RCA to XLR adapter (ECP5XLR).

Connect ECP5XLR to the XLR input.

Connect the RCA interconnect to the input on the ECP5XLR

(The ECP5XLR may be purchased separately)

How to turn on your system

You should always turn on your equipment in this order: Signal source devices (CD, tuner, etc) and preamplifier are turned on first. Allow 30 seconds of preheating before you turn on your power amplifier. When turning your system off, you should start by switching off your power amplifier, then the preamplifier, and finally your signal source devices. After switching on the power amplifier, there will be a 5 seconds delay before the speakers are connected. This will prevent large turn on/off transients to reach the speakers.

Replacing a blown main fuse

ALWAYS DISCONNECT THE AC CORD BEFORE REPLACING THE FUSE!

The main fuse is located inside a small drawer in the AC receptacle of the unit. If, for some reason, the fuse blows, turn the unit off and remove the AC cord from the inlet. Open the drawer (with a small screwdriver or similar) and remove the broken fuse. The spare fuse is located in the hole in front of the main fuse. Push the new fuse gently out of the hole, and place it in correct position (where the blown fuse was removed). Push the drawer gently back to the closed position, connect the power cord and turn the unit on.

Never replace a blown fuse with other values than printed in this manual:

**10A slow blow for 120V
6.3A slow blow for 240V**

Warning: The amplifier will be warm.

Due to the high class A operating point used in the Electrocompaniet design, it is normal that the amplifier feels warm. Proper ventilation will be needed, and the amplifier should not be covered. A good rule is to allow 1 - 2 inches of air sidewise, and 2 - 3 inches above the amplifier.

If placing the amplifier on the floor, be aware of carpets that can obstruct the ventilation underneath the amplifier.

Technical specifications AW 250R

The following technical data were measured on randomized test objects and are typical data. All measurements are made at 120V / 240V // 50Hz / 60Hz

Amplifier section

Output impedance (20 Hz - 20 kHz).....< 0,008 Ohm
 XLR (balanced) input impedance.....110 kOhm
 Input sensitivity for rated output.....1,65V
 Max. peak current..... > 100 A
 THD (measured at 1 kHz half power, 8 Ohm).....< 0,001 %
 THD (measured at 1 kHz -1 dB, 8 Ohm).....< 0,001 %

Noise (measured with both inputs shorted):

400 Hz - 30 kHz : 90 µV
 10 Hz - 30 kHz : 100 µV

Rated output power

10 % change in line voltage will give app. 20 % change in output power.

8 Ohm 2 x 250 W
 4 Ohm 2 x 380 W
 2 Ohm 2 x 625 W
 1 Ohm 2 x 1100 W

Power consumption (no load or signal) 230 W

Dimensions

Width483 mm / 19 inches
 Depth450 mm / 17 inches
 Height210 mm / 8.2 inches
 Weight.....39 kg. / 85.8 lbs.

The manufacturer reserves the right to alter these specifications without further notice.

Illustration 1 – Rear panel

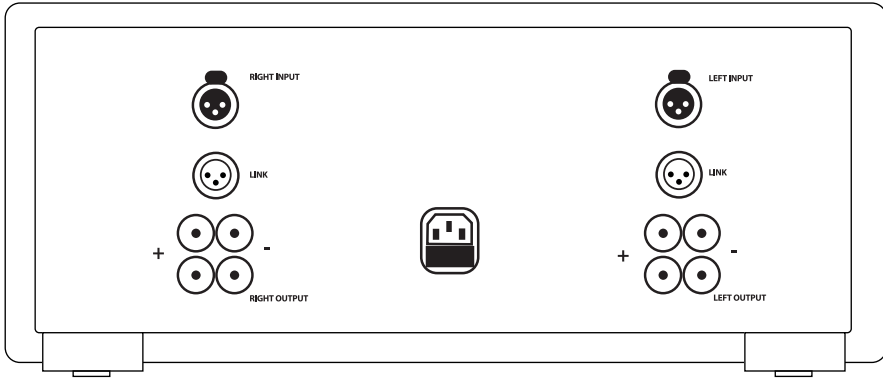
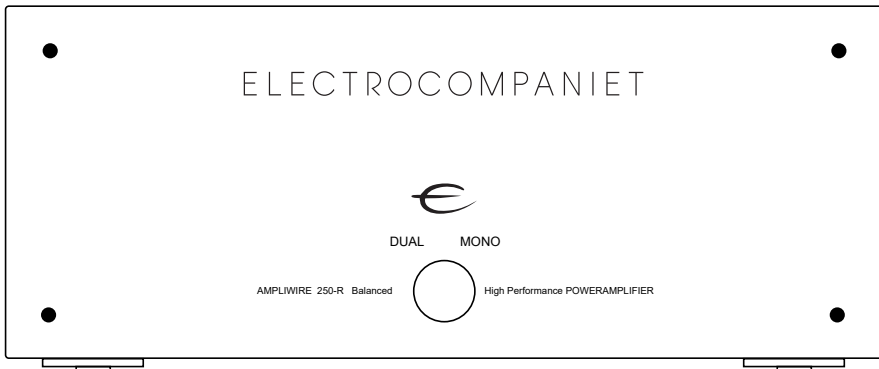
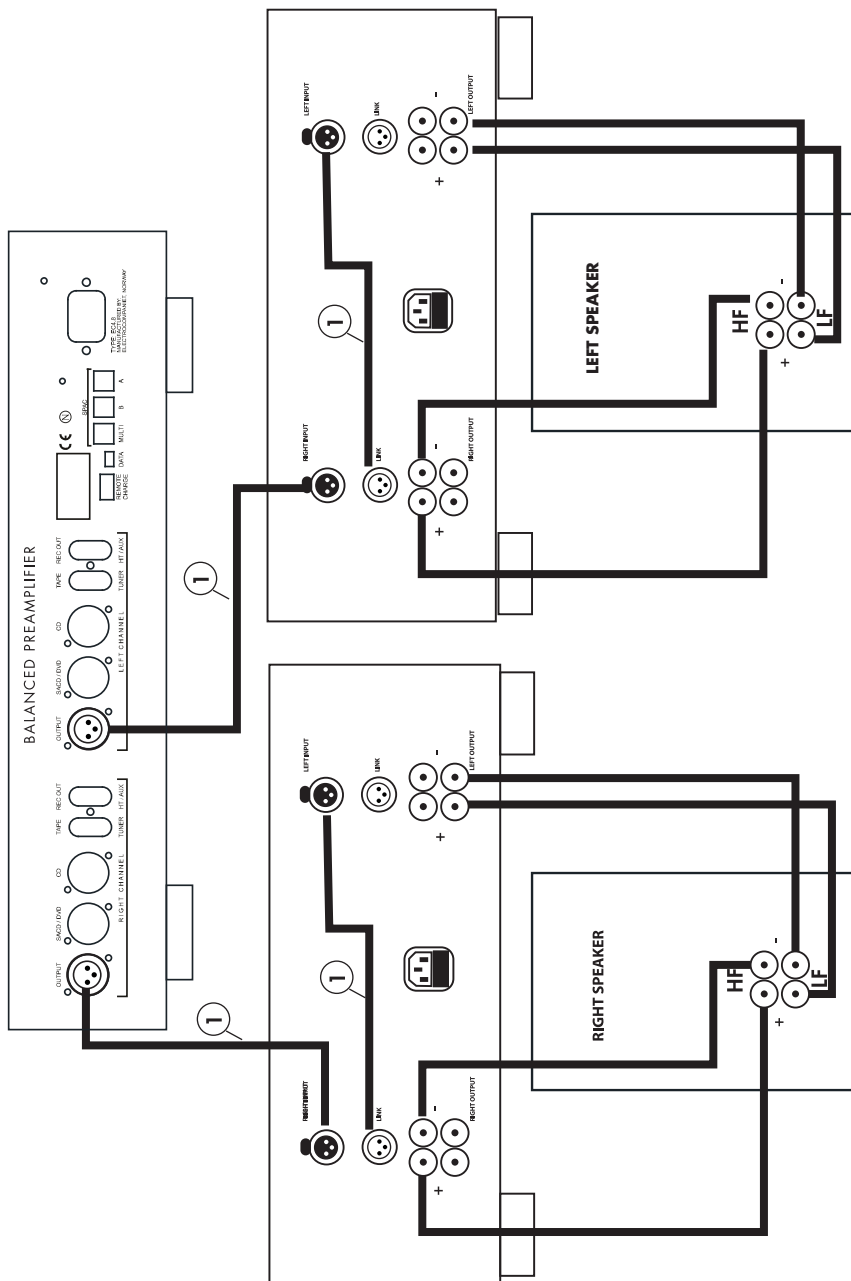


Illustration 2 – Front panel





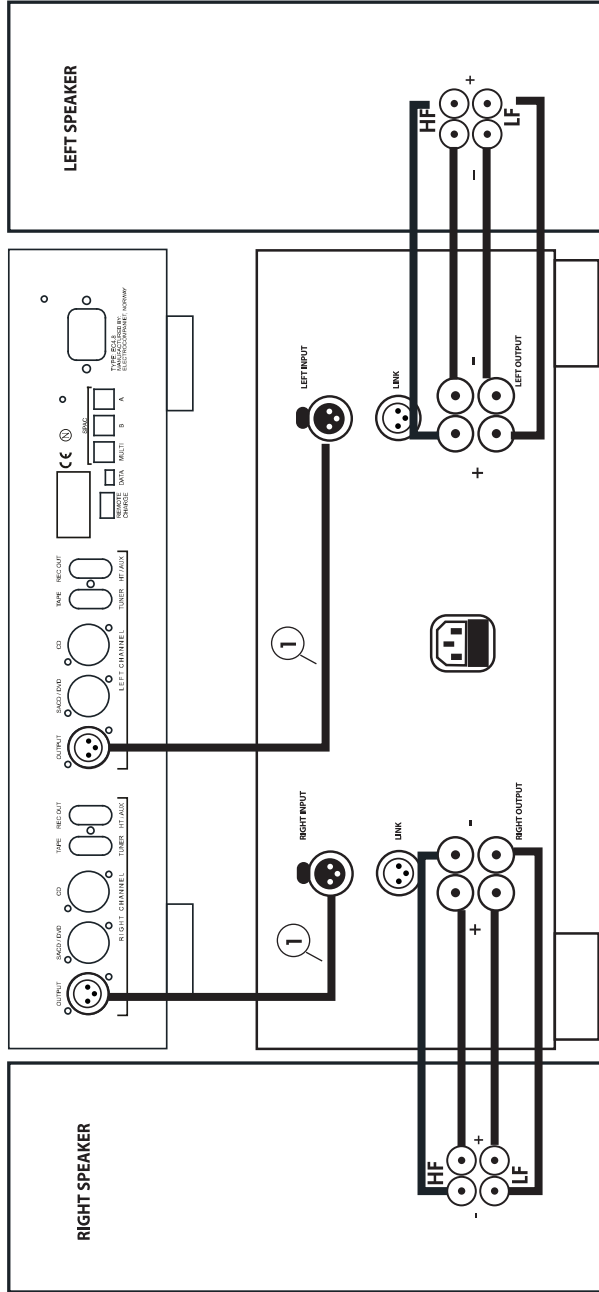
BI-AMPING



1. Standard XLR cable

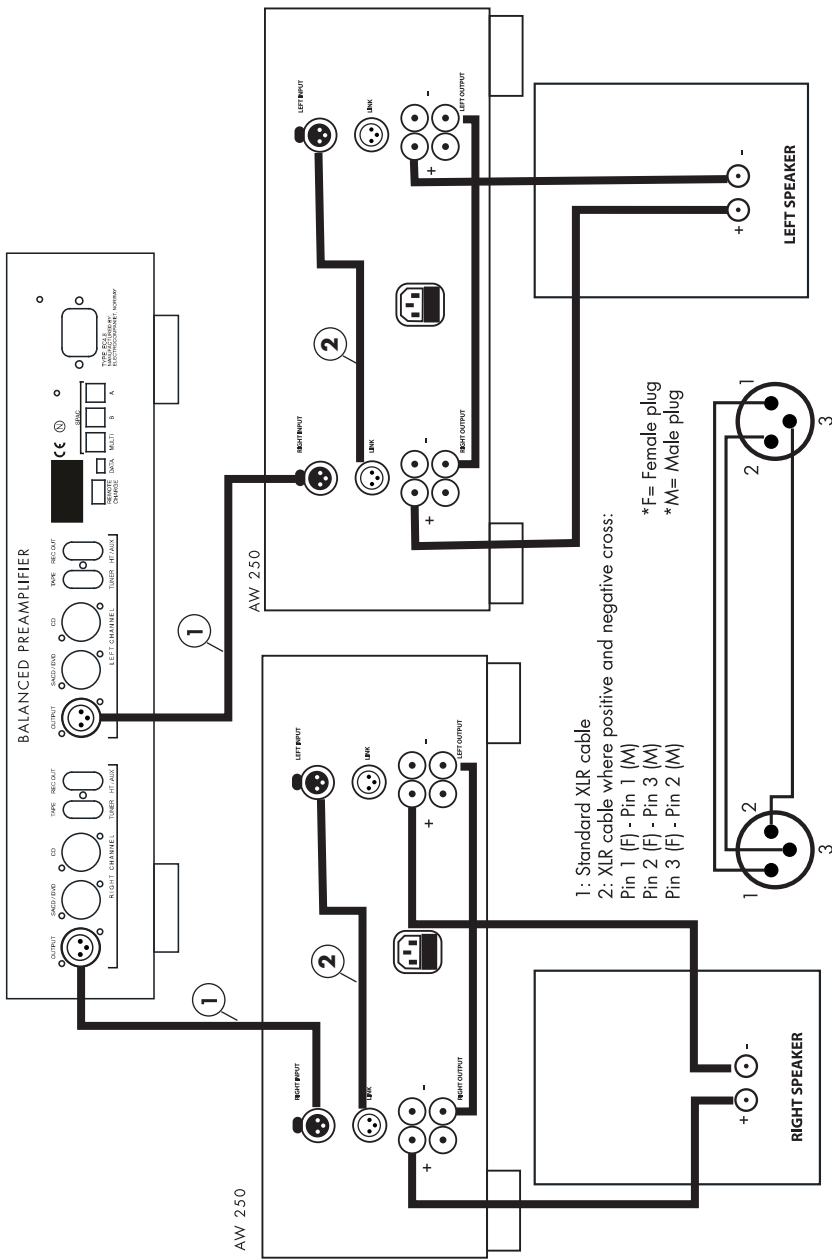


BI-WIRING



1. Standard XLR cable

BRIDGED MODE



€



Important Notice

For optimal sonic performance, the AW 250R should be burned in for a minimum time of 72 hours. If the AW 250R has been switched off, allow two hours of warm-up for optimal sonic performance.

If Service is needed

Your dealer will have all relevant information regarding the service centers in your area, and will ensure that your unit is serviced with minimum delay. It is our general policy to have your unit returned to you within five working days. This is an average time, and can vary locally, depending on the workload at that particular service station. If, for some reason, there are no service facilities available in your country, please ship the unit to the following address:

Electrocompaniet as,
Breivikveien 7,
N-4120 Tau,
Norway
Web: www.electrocompaniet.no

Service department: www.electrocompaniet.no/support

The end user is responsible for all shipping charges, insurance, re-importation and dutycharges.

When shipping a product to the factory for service, always include the following:

1. A sales slip or other proof of purchase if repair is claimed under warranty.
2. A proforma invoice with value of goods, stating that the AW 250R is returned to Norway for repair.
3. An accompanying letter describing faults, symptoms, or problems with the unit.
4. Always ship the unit in its original carton and packaging material to prevent damage in transit.

Electrocompaniet will not cover damages incurred in transit. If you require further information concerning the operation of the unit, or if you have any questions related to service, please do not hesitate to contact your dealer or your national distributor.

DEALER
STICKER
HERE

LOCAL DEALER

Warning!

To avoid risk of fire or electric shock, do not expose this appliance to rain or moisture.

Verify line voltage before use.

Do not remove cover. No user serviceable parts inside.

Refer servicing to qualified service personnel.

The warranty is void if the product is tampered with by non-authorized personnel.

Use only authorized Electrocompaniet service center.

Made in Norway
www.electrocompaniet.no